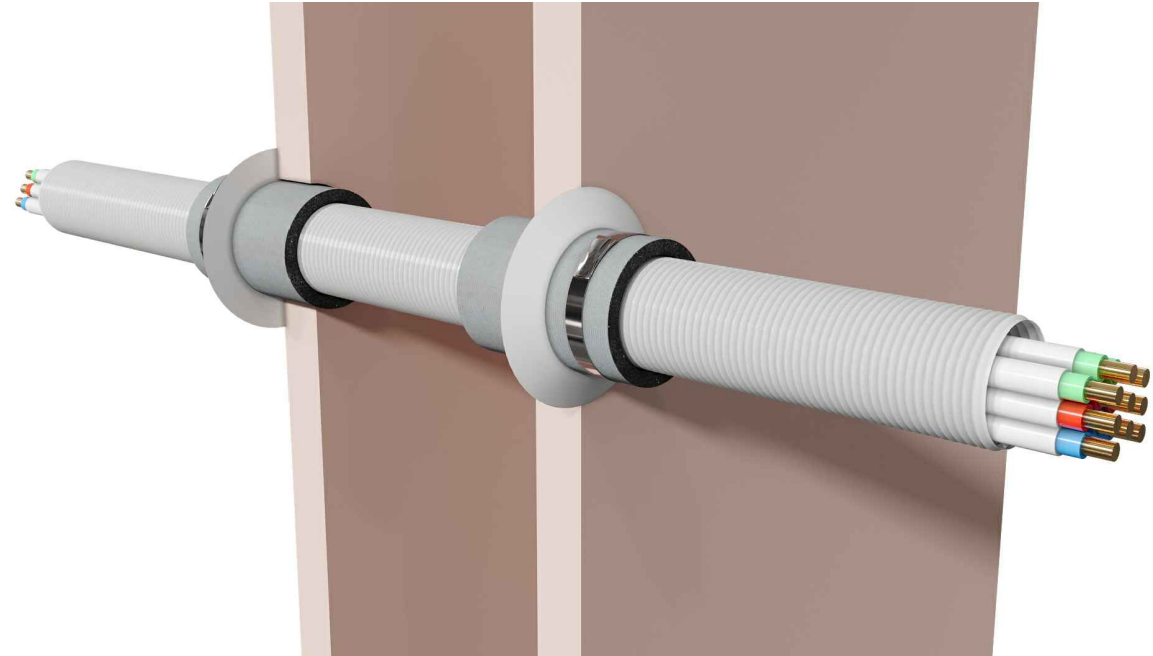




Step-by-step installation instructions:

1. Ensure the aperture(s) is free from dust and debris.
2. Cut the necessary length of AGNI-Wrap 50.
3. Secure AGNI-Wrap 50 around the conduit with no overlap using AGNI-Strap.
4. Insert AGNI-Wrap 50 into the annular space, with 25mm of the wrap outside the aperture each side.
5. Apply AGNI-Seal 5mm depth to seal the joints between AGNI-Wrap 50 and the wall.



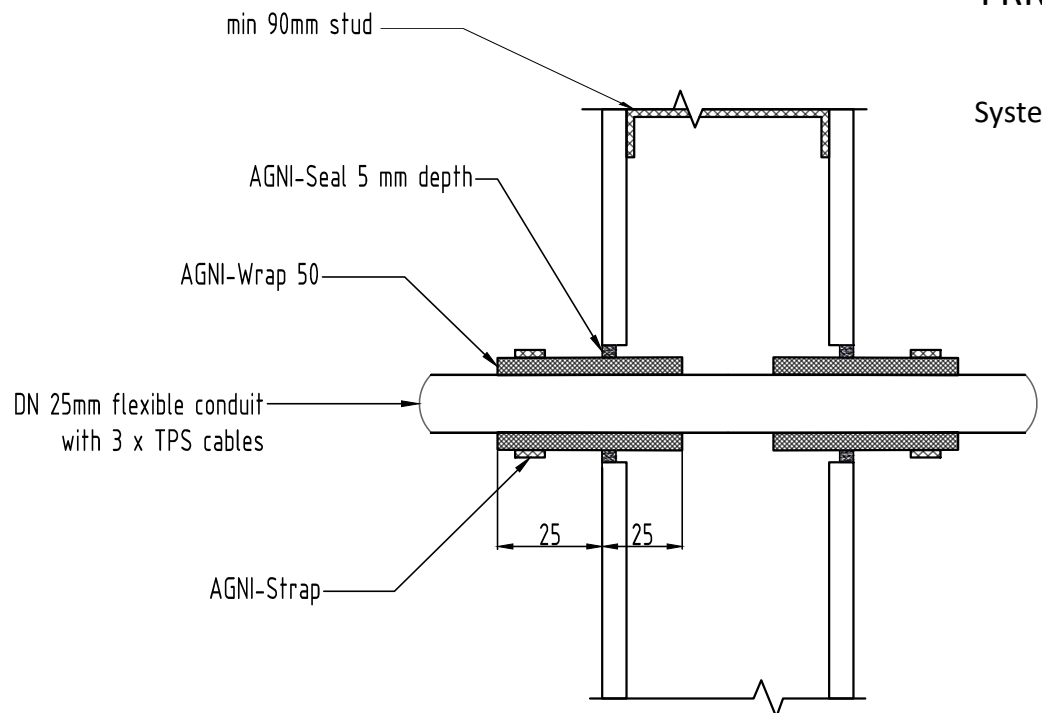
Technical Information

Substrate	<ul style="list-style-type: none"> • Min. 90mm timber or steel stud wall with a minimum of one layer of 13mm (or greater) FR plasterboard on each side, with or without insulation. • Min. 116 mm concrete wall
Service range	DN 25mm flexible conduit with 3 x TPS cables
Annular gap	3mm - 7mm
AGNI-Products	AGNI-Wrap 50, AGNI-Strap, AGNI-Seal
Protection installation	From both sides of the wall

Compliance Information

Standards	AS1530.4-2014, AS4072.1-2005
FRR/FRL	-/60/60
Reference	RIRF24078 (AE-079)





System ID# FC828

Technical Information

Substrate	<ul style="list-style-type: none"> • Min. 90mm timber or steel stud wall with a minimum of one layer of 13mm (or greater) FR plasterboard on each side, with or without insulation. • Min. 116 mm concrete wall
Service range	DN 25mm flexible conduit with 3 x TPS cables
Annular gap	3mm - 7mm
AGNI-Products	AGNI-Wrap 50, AGNI-Strap, AGNI-Seal
Protection installation	From both sides of the wall

Compliance Information

Standards	AS1530.4-2014, AS4072.1-2005
FRR/FRL	-/60/60
Reference	PF24078



Agnitek[®]
FIRE RATED TECHNOLOGY

8 Clare St Bayswater
VIC 3153, AUSTRALIA
www.agnitek.com.au

Disclaimer
Agnitek reserves the right to modify product specifications without prior notice due to its ongoing research, development & certification programme. The information in this document is provided in good faith and is intended for guidance purposes only. Any accompanying drawings are solely for illustrative purposes. Since Agnitek cannot oversee installation methods or ensure site conditions, no warranties, expressed or implied, are intended regarding the products' actual performance. We do not accept liability for any loss, damage, or injury from using this information. Please take a look at the test reports displayed on a relevant AGNI-System webpage for all compliance specifics.

Date | 01.08.2024